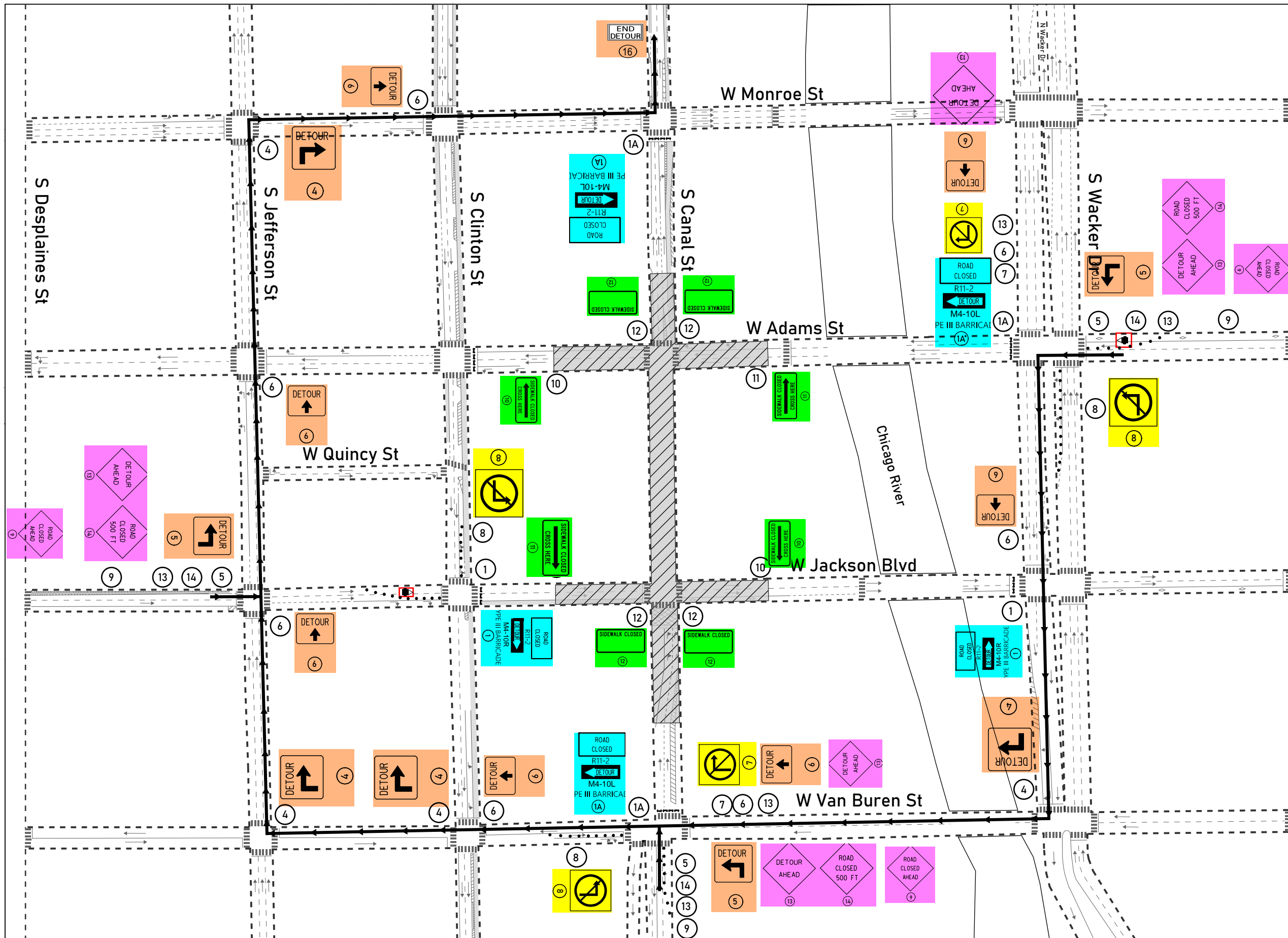


CANAL STREET - WEEKEND CLOSURE DETOUR

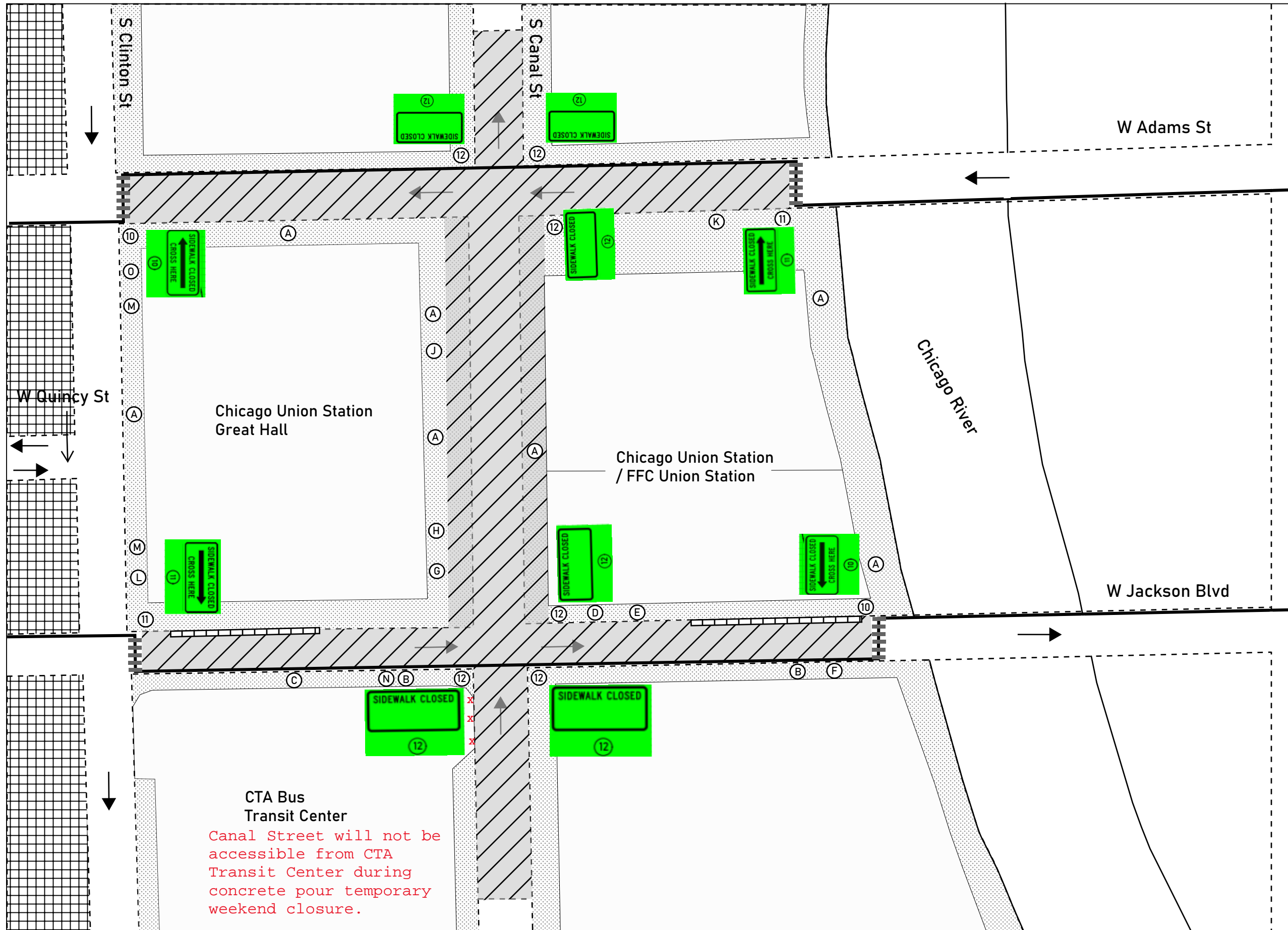


GENERAL NOTES

1. Streets shown in the "Construction Zone" shaded area will be closed during the proposed work. Streets to be closed include: W. Adams Street, W. Jackson Blvd., S. Canal Street.
2. See Sheet 3 for Pedestrian Detour Plan
3. See Sheet 4 for Legend

No.	Date	Revision	By
Intersection Closures - Deck Pour			
Canal Street (FAU 2885) Viaduct Jackson Boulevard to Adams Street			
Const. Spec.	Drawn By	MZ	Plans Checked
Traffic Control Plan			SHEET OF
			2 4

CANAL STREET - WEEKEND CLOSURE PEDESTRIAN DETOUR



Sidewalk / Pedestrian Accessible Area

GENERAL NOTES

1. See Sheet 4-5 for Legend

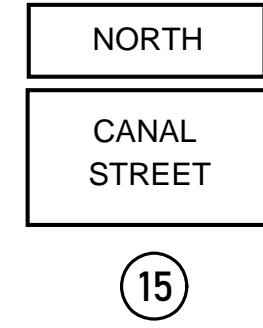
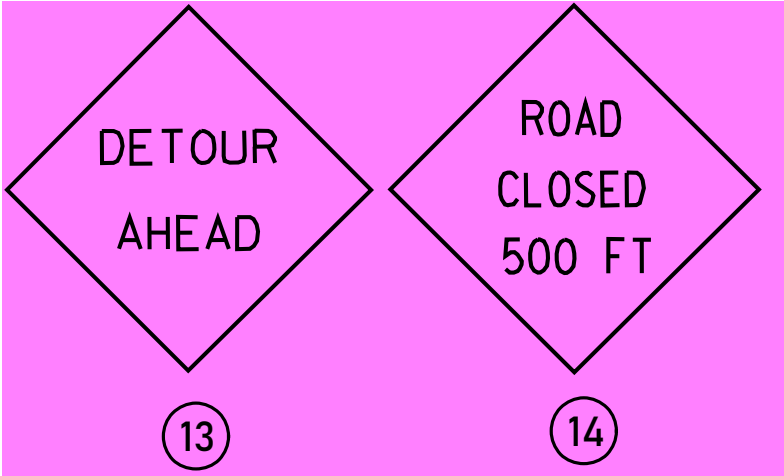
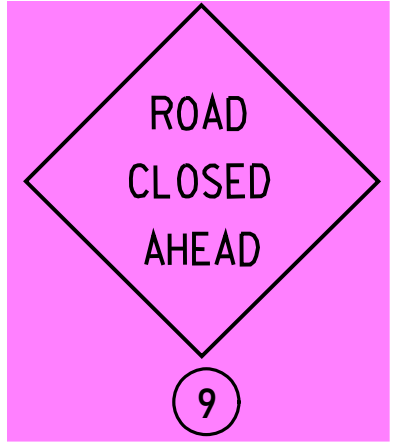
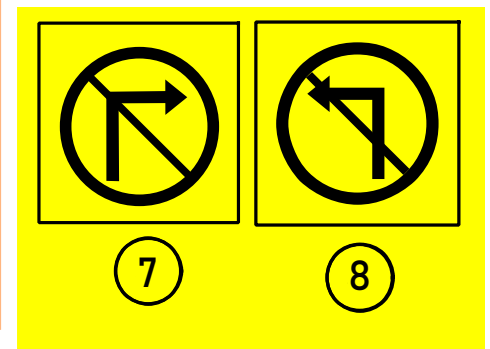
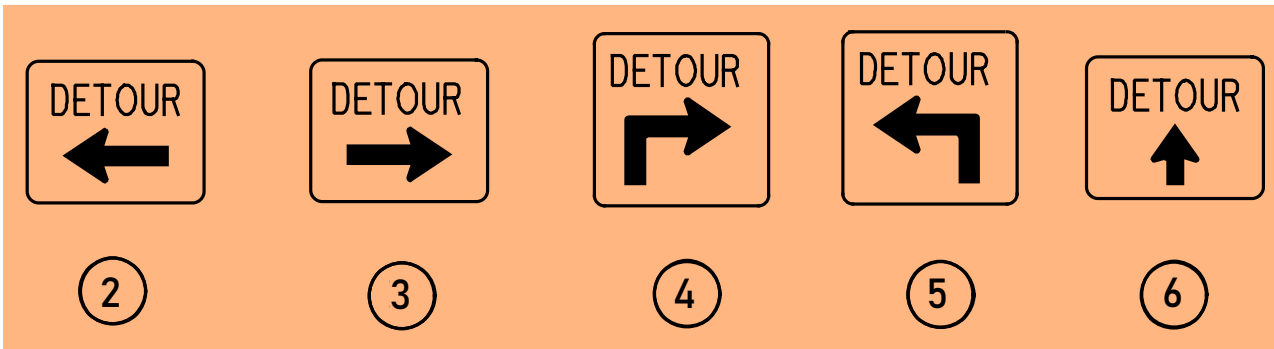
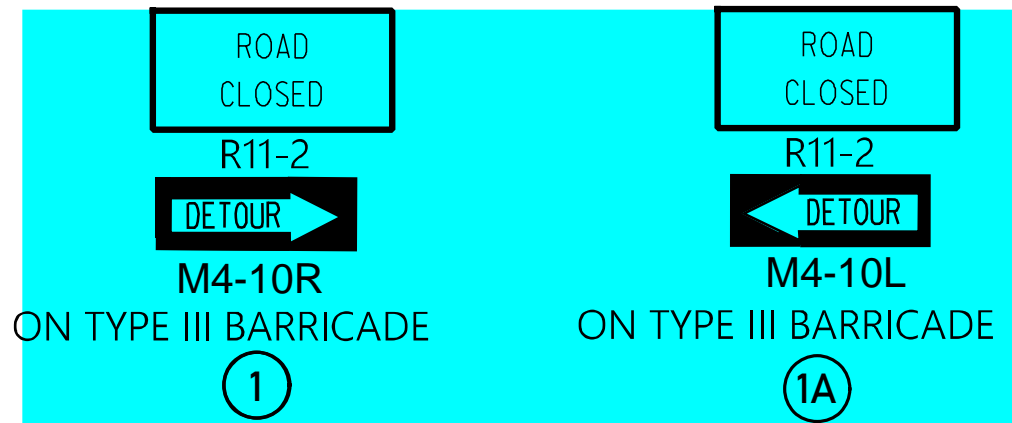
No.	Date	Revision	By

Pedestrian Detour Plan

Canal Street (FAU 2885) Viaduct
Jackson Boulevard to Adams Street

Const. Spec.	Drawn By MZ	Plans Checked
Traffic Control Plan		SHEET OF
		3 5

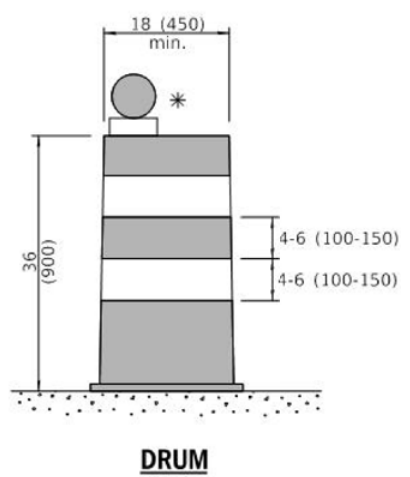
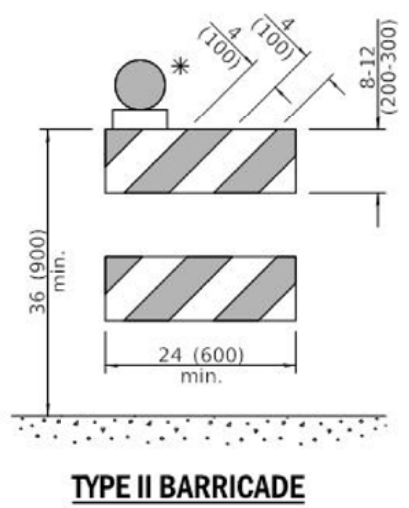
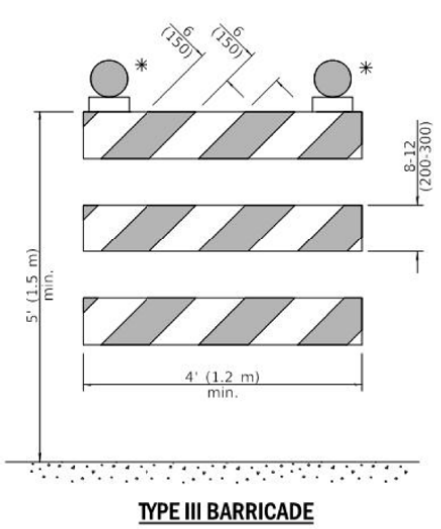
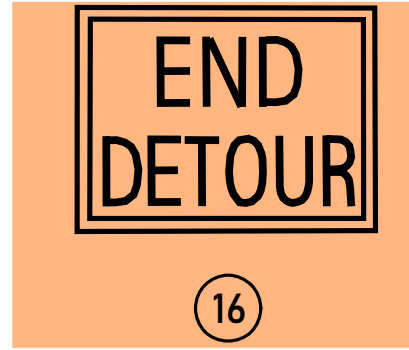
CTA Bus Transit Center
Canal Street will not be accessible from CTA Transit Center during concrete pour temporary weekend closure.



NOTE 1: Use with Detour Arrow Signs 2-6 shown above (as applicable)

NOTE 2: NORTH CANAL shown for reference. Will use WEST ADAMS and EAST JACKSON where applicable

- Taxi Zone
- Construction Zone
- Arrow Board
- Type III Barricade
- Detour Route
- Pedestrian Detour Route
- Type II Barricade or Drum



GENERAL NOTES

1. Traffic Control Standard: 701901-08

No.	Date	Revision	By
Legend			
Canal Street (FAU 2885) Viaduct Jackson Boulevard to Adams Street			
Const. Spec.	Drawn By	MZ	Plans Checked
Traffic Control Plan		SHEET	OF
		4	5

Existing Locations

- (A) Union Station Entrance
- (B) CTA Bus Stop
- (C) Greyhound Bus Stop
- (D) Union Station Delivery Garage
- (E) Union Station South Elevator /
Fitness Formula Clubs Entrances
- (F) 300 South Riverside Plaza Entrance
- (G) Union Station Employee Entrance
- (H) Amtrak Metropolitan Lounge Entrance
- (J) Elevator To Trains Entrance
- (K) 222 South Riverside Plaza Entrance
- (L) Vehicle Access Union Station Entrance
- (M) Clinton Ramp Union Station Entrance
- (N) Stairs to Union Station Entrance
- (O) Vehicle Union Station Exit

No.	Date	Revision	By
Legend			
Canal Street (FAU 2885) Viaduct Jackson Boulevard to Adams Street			
Const. Spec.	Drawn By	MZ	Plans Checked
Traffic Control Plan			SHEET OF
			5 5